



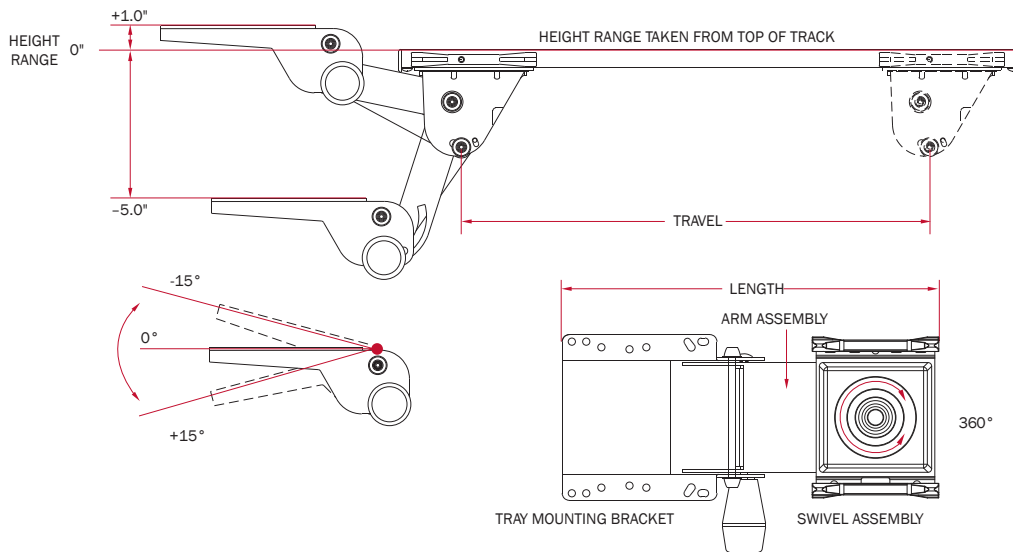
Economy Keyboard Arm

Even with an entry-level arm, you benefit from all the research and patented technology that only Swiftspace can bring you.

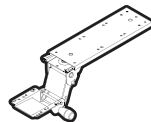


SS5733SW

Features	Benefits
Soft-touch knob for simultaneous height and tilt adjustment	Easy to use, all-in-one adjustment
Spring-assisted to help counter balance keyboard and tray weight	Easy to position keyboard to precise location
Low-profile design	Provides maximum leg room
360° swivel	User can move keyboard freely from side to side
Stores on glide track	Frees up space in front of desk



Keyboard Arm SS5733SW



Model	Height Range	Tilt	Length	Travel	Track Size	Track Style	Weight
-------	--------------	------	--------	--------	------------	-------------	--------

5733M21 | +1.0" / -5.0" | -15° / +15° | 14.5" | 16.75" | 21.75" | plastic glide | 8.3 lbs



Finish: Black
Code Compliance: Exceeds ANSI/BIFMA standards



406 Harmony Road
Ayr, ON, Canada
519-624-5698
www.swiftspaceinc.com



SS6460SW

HDPE Keyboard Tray

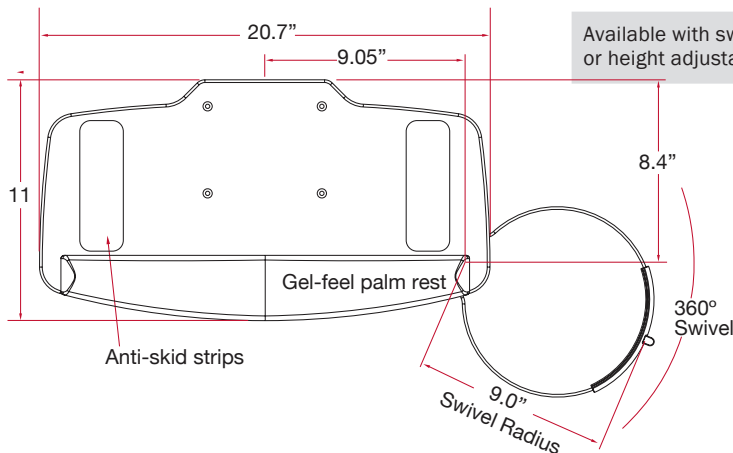
High Density Polyethylene

This fully recyclable keyboard tray was developed to meet a growing demand for environmentally friendly products. Made from HDPE, the tray uses recycled component materials where possible and is fully recyclable.

SS6460SW

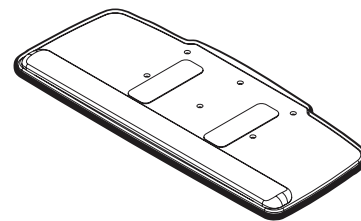
Features	Benefits
Made from 1/2" thick HDPE (High Density Polyethylene) with a textured finish	Sturdy design which meets "Green" product requirements
27" keyboard trays comes with mouse guard including cable manager	Prevents mouse from slipping off tray
27" Keyboard tray has off-set mounting holes	Increased functionality
Anti-skid strips on keyboard tray	Strips prevent keyboard slippage
Universal mounting pattern	Attaches to most Swiftspace arms
Plug-in gel-feel foam palm rest	Offers gentle support, easy-to-clean wrinkle finish and wear resistant material
Wherever possible, recycled materials are used to manufacture components	Entire keyboard tray is fully recyclable Environmentally friendly
Available with swivel only mouse surface or height adjustable mouse mechanism	Allows for left and right mounting flexibility

SS6460SW



HDPE Keyboard Tray

SS6460SW



Model	Width	Depth	Material	Colour	Mouse Tray	Weight
SS6460SW	20.7"	11.0"	1/2" HDPE	Black	Height adjustable tilt swivel included	5.6 lbs



Finish: Black High Density Polyethylene
Code Compliance: Meets ANSI/BIFMA standards

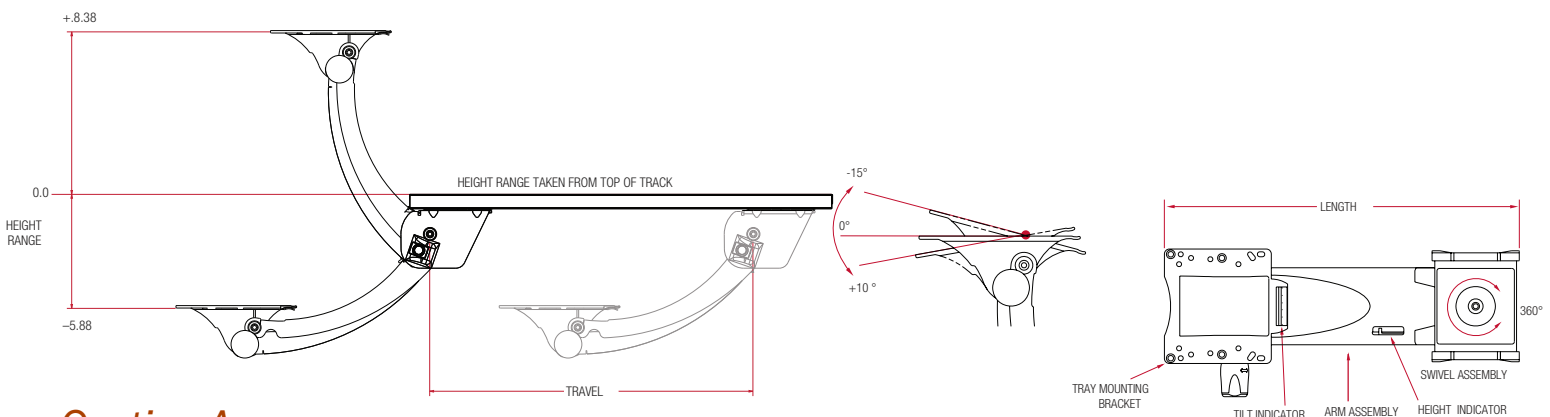
Notes: 1. Weight = packaged shipping weight per unit. 2. Specifications are subject to change without notice.



Ovation Arm Sit-Stand Length

The Ovation Sit-Stand Arms maximize ergonomic support for both seated and standing positions. The Ovation includes a patented dial tilt gauge and a height gauge to provide specific ergonomic adjustments.

Features	Benefits
Includes a patented dial tilt gauge	Shows the angle of the tray as tilt knob is turned from -15° to +10°
Incorporated height gauge	Marks user's best ergonomic keyboarding position for repeatable location
Increased height range from 8.38" above track to 5.88" below track	Comfortable positioning at either seated or standing posture
Enhanced, patented Lift-N-Lock™ braking mechanism	Easy adjustment of height of keyboard tray Superior lock-up, increased stability and improved accuracy of tilt position
Curved neck	Allows users to be closer to the desk in seated and standing positions
360° swivel	Keyboard tray moves easily from side to side for more flexibility
Positive tilt lockout option	Locks out positive tilt
Dual swivel option	Keyboard can always be parallel to desk even when corner mounted
Wherever possible, recycled materials are used to manufacture components Designed for disassembly and 100% recyclability	Environmentally friendly



Ovation Arm Sit-Stand Length

Ancillary Products:

Model	Height Range	Tilt	Length	Travel	Track Size	Track Style	Weight
8474D21	+8.38"/-5.88"	-15°/+10°	17.9"	16.75"	21.75"	plastic glide	11.3 lbs



Finish: Black wrinkle paint
Code Compliance: Exceeds ANSI/BIFMA standards Also available in standard and extended lengths

